

Your partner in inspection and quality control



checkweigher

35T3 PHARMA





checkweigher

35T3 PHARMA

Equipment

- Digital electronics with PC Mainboard mini-ITX
- 10,4" TFT color display with touch screen panel
- Windows XP Operative System
- Electronic self-calibration device
- Production data management in conformity with the standards in force
- 3 levels password access protection
- Speed adjustable from panel
- Mobile average function
- 200 storable product programs
- 2 RS232 serial ports
- Ethernet interface
- Wind-prevention tunnel
- Conformity with standards ISO-FDA HACCP

Accessories

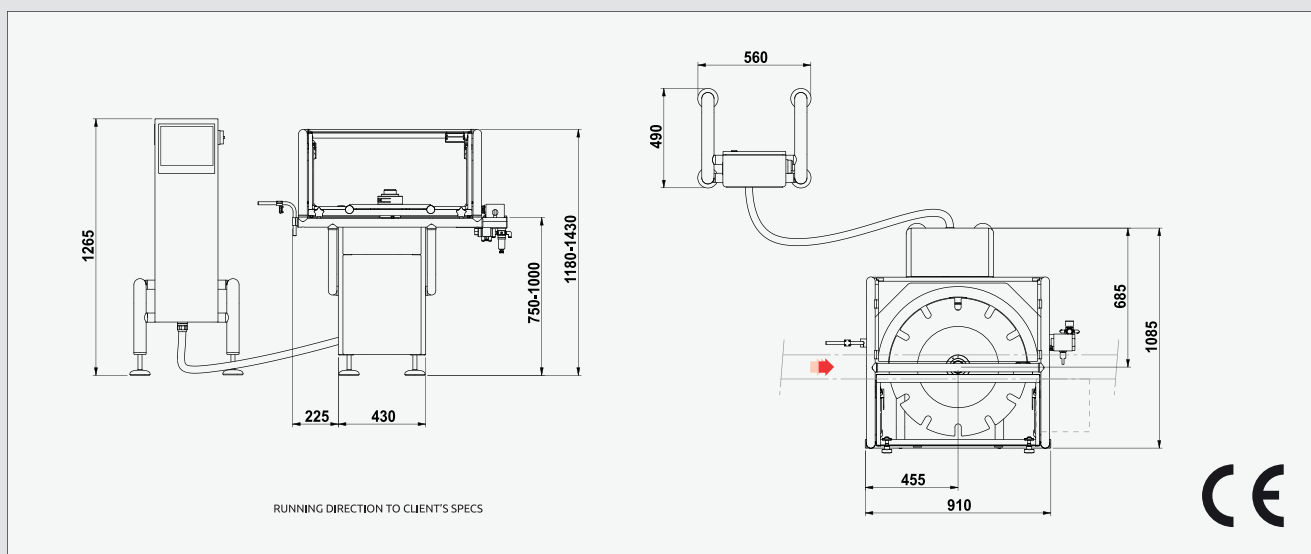
- Ejection systems
- Reject management systems
- 24- columns panel printer
- Products programs memory expansion
- USB interface
- Feed-back function
- FAT/SAT, IQ/OQ, CFR21 part 11 validations

Technical Specifications

35T3 Pharma

Weighing range	from 0 up to 1500 g
Display division	from 0,1 g
Throughput	up to 120 ppm
Accuracy*	from $\pm 0,1$ g
Pneumatic supply	0,6 Mpa
Air consumption (for ejection)	2 NI
Power supply	230 V 50/60Hz single-phase
Power consumption	700 W
Mirror finishing of metal parts	Stainless steel IP54 - IP65

*depending on the weight, dimensions and type of product



© PRISMA INDUSTRIALE S.r.l. cod. B0051 rev.002



PRISMA INDUSTRIALE S.r.l.

Via La Bionda, 17 - 43036 Fidenza - Parma - Italy • Tel. +39 0524 527270 - Fax +39 0524 524142
www.prismaindustriale.com • info@prismaindustriale.com

Data appearing in this brochure may be modified without prior warning.
The machine illustrated in this document is full options.